



ORIGINAL HOOK AND SLOT BEAM IDENTIFICATION SHEET

AS ONE OF THE INDUSTRY FOUNDERS, RIDG-U-RAK HAS BEEN MANUFACTURING STORAGE RACK FOR OVER 65 YEARS. LONG BEFORE THERE WERE ANY CONVENTIONAL BEAM LENGTH STANDARDS, RIDG-U-RAK'S BEAM LENGTH DID NOT INCLUDE THE CONNECTOR HOOK THICKNESS (A 96" BEAM WAS 96³/₈" OVER THE HOOKS). STARTING JANUARY 2000, BEAM LENGTHS HAVE INCLUDED THE CONNECTOR THICKNESS (A 96" BEAM IS NOW 96" OVER THE HOOKS). IT IS NOW NECESSARY TO CONFIRM THE EXACT BEAM LENGTH TO INSURE COMPATIBILITY WITH EXISTING RIDG-U-RAK SYSTEMS.

ORDERS WILL NOT BE PROCESSED WITHOUT A BEAM SHEET (NOT REQUIRED FOR "TEARDROP" STYLE)

 DISTRIBUTOR

 CUSTOMER

 P.O. #

PLEASE MEASURE CAREFULLY AND FILL IN THE BOXES

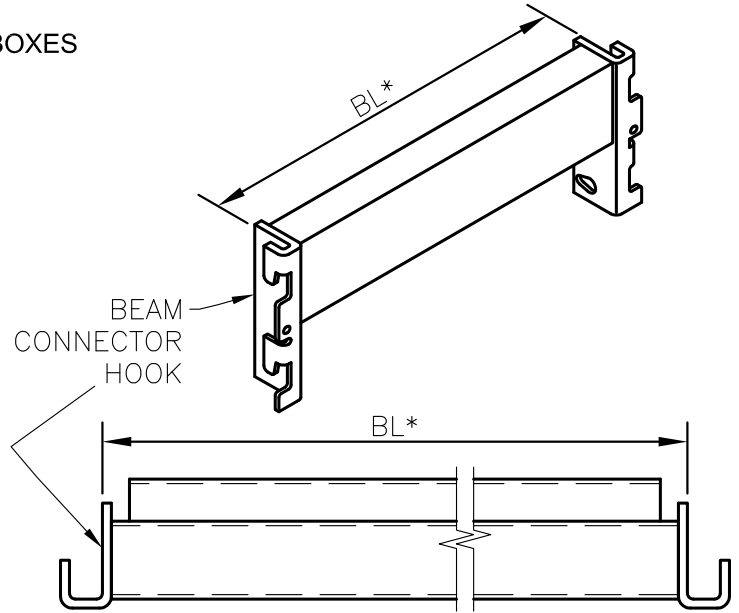
ONLY MEASURE UNDAMAGED PARTS

1. BEAM LENGTH (BL)*

INCHES

* MEASUREMENT TO INCLUDE THE CONNECTOR HOOK THICKNESS AT EACH END OF THE BEAM

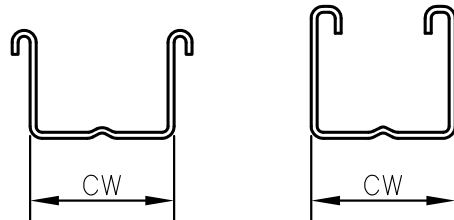
USUALLY THIS DIMENSION IS EITHER A NOMINAL LENGTH OR ³/₈" LONGER THAN NOMINAL (EXAMPLE: 96" OR 96³/₈")



2. FRAME COLUMN WIDTH (CW)

INCHES

THIS DIMENSION IS EITHER 3" OR 4" (PLEASE CIRCLE COLUMN STYLE TO THE RIGHT)

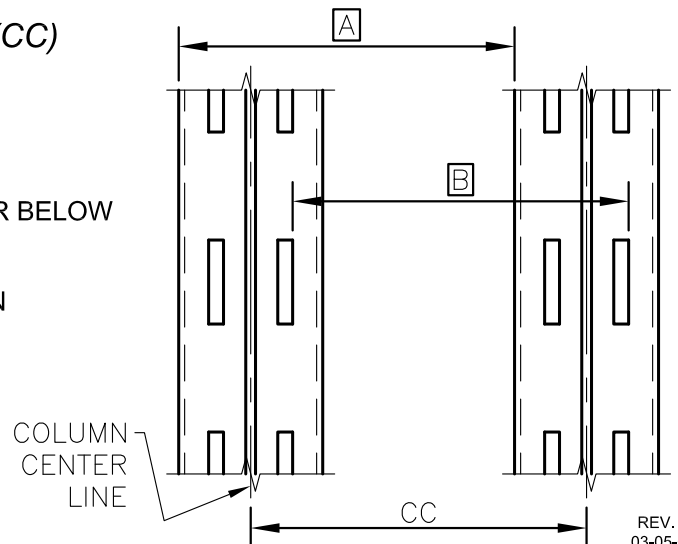


3. COLUMN CENTER TO COLUMN CENTER (CC)

INCHES

THIS DIMENSION IS BEST MEASURED JUST ABOVE OR BELOW AN EXISTING BEAM LEVEL USING EITHER:

- A - LEFT SIDE OF COLUMN TO LEFT SIDE OF COLUMN
OR
- B - RIGHT SIDE OF RIGHT SLOT TO RIGHT SIDE OF RIGHT SLOT



 SIGNED BY

 DATE